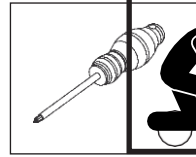
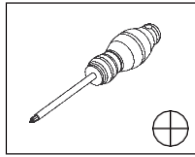
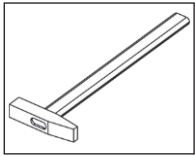


Tools required




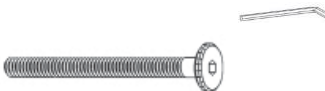




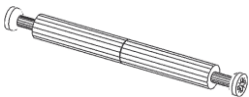

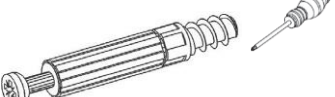

- Do not throw away packaging materials until assembly is complete.
- Assemble this item on a soft surface, such as cardboard, towel, carpet. It should protect finish.
- Keep plastic packages and other parts **away from children and infants**.
- All connections should be tight.
- Until starting assembling please read whole instruction.
- If You notice that the package is damaged don't assembly.

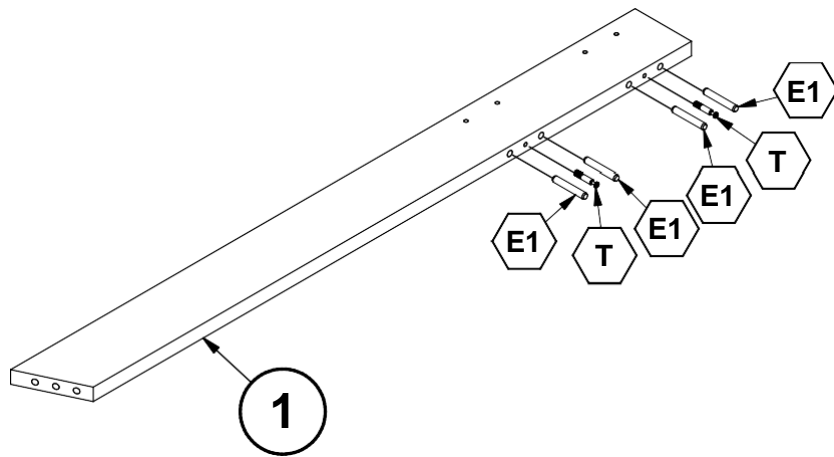
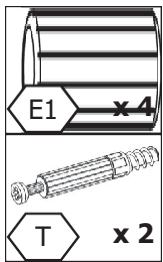
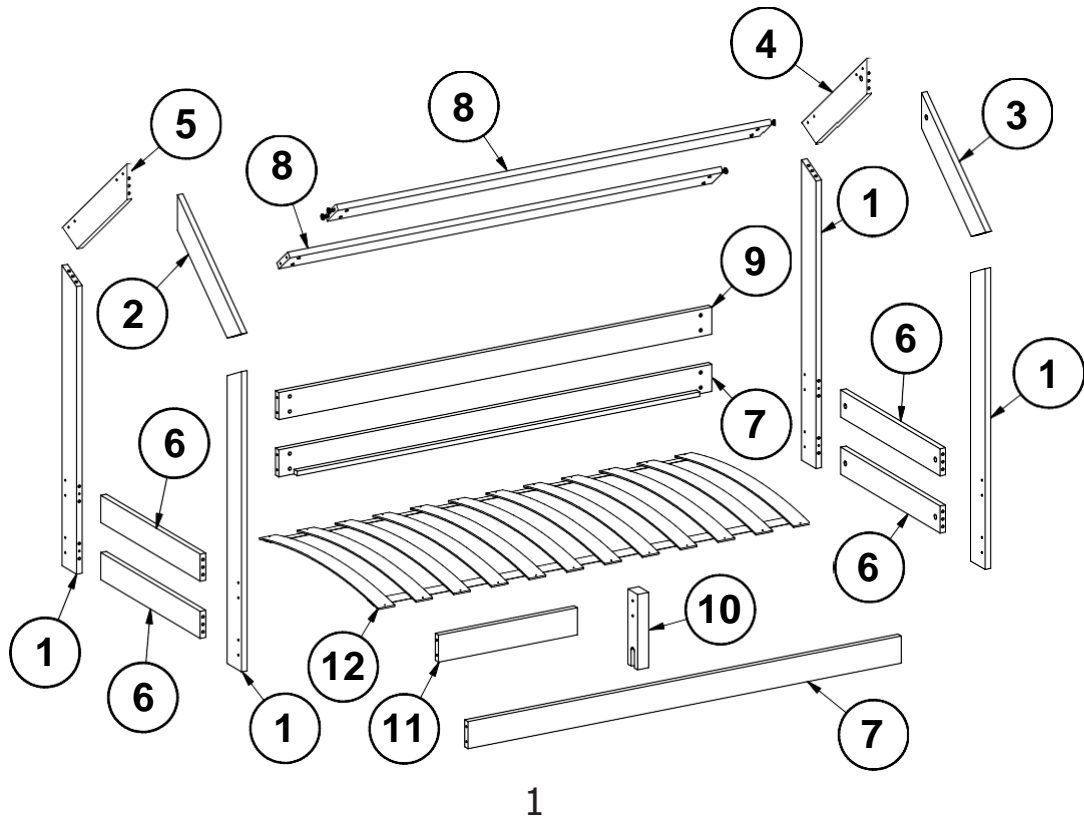


Parts in the packaging

- Before starting work please make sure You have all the parts.

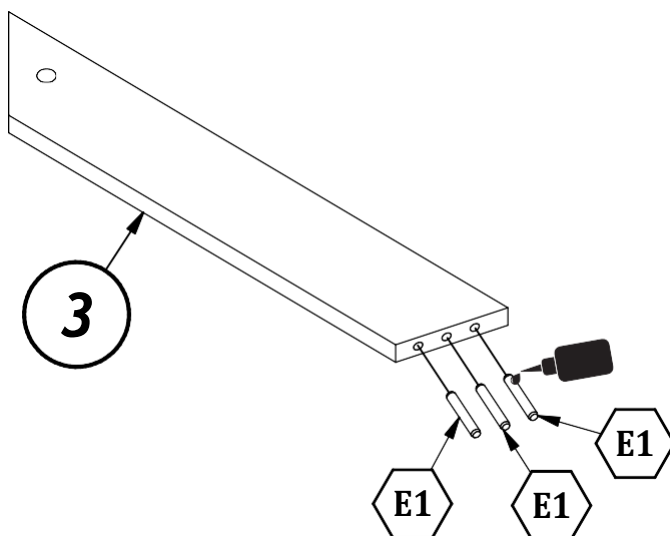


<p>S1F</p>  <p>24x</p>	<p>G7</p>  <p>24x</p>	<p>G0</p>  <p>24x</p>
<p>K1</p>  <p>1x</p>	<p>M2</p>  <p>12x</p>	<p>E1</p>  <p>32x</p>
<p>O2</p>  <p>2x</p>	<p>M</p>  <p>12x</p>	<p>T</p>  <p>8x</p>
<p>U</p>  <p>1x</p>		

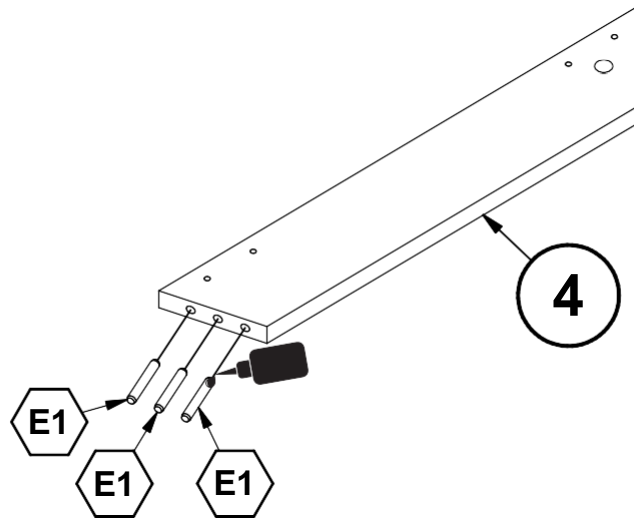


2

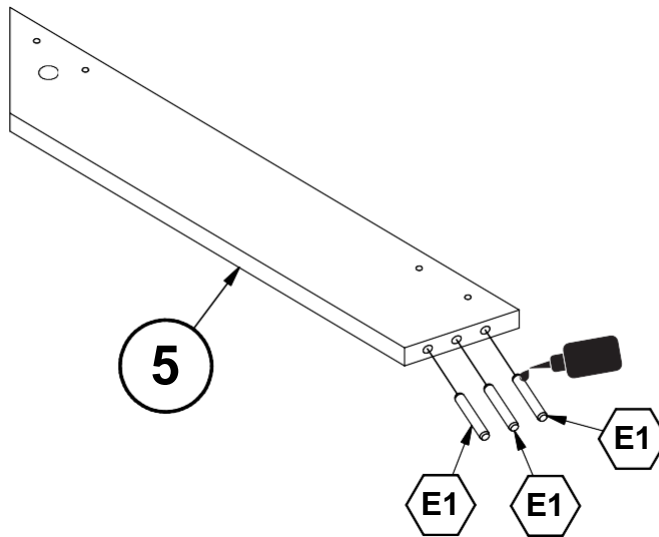
x4



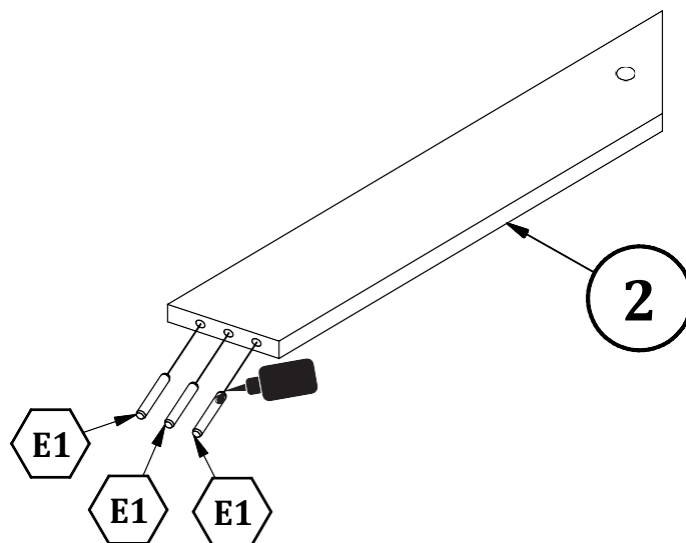
3

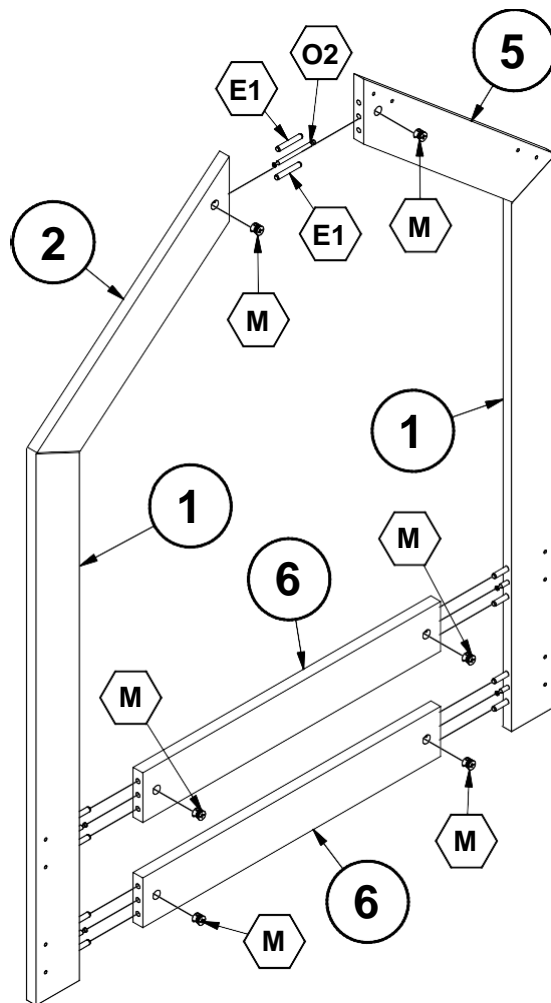
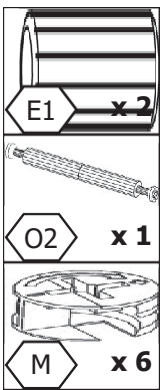
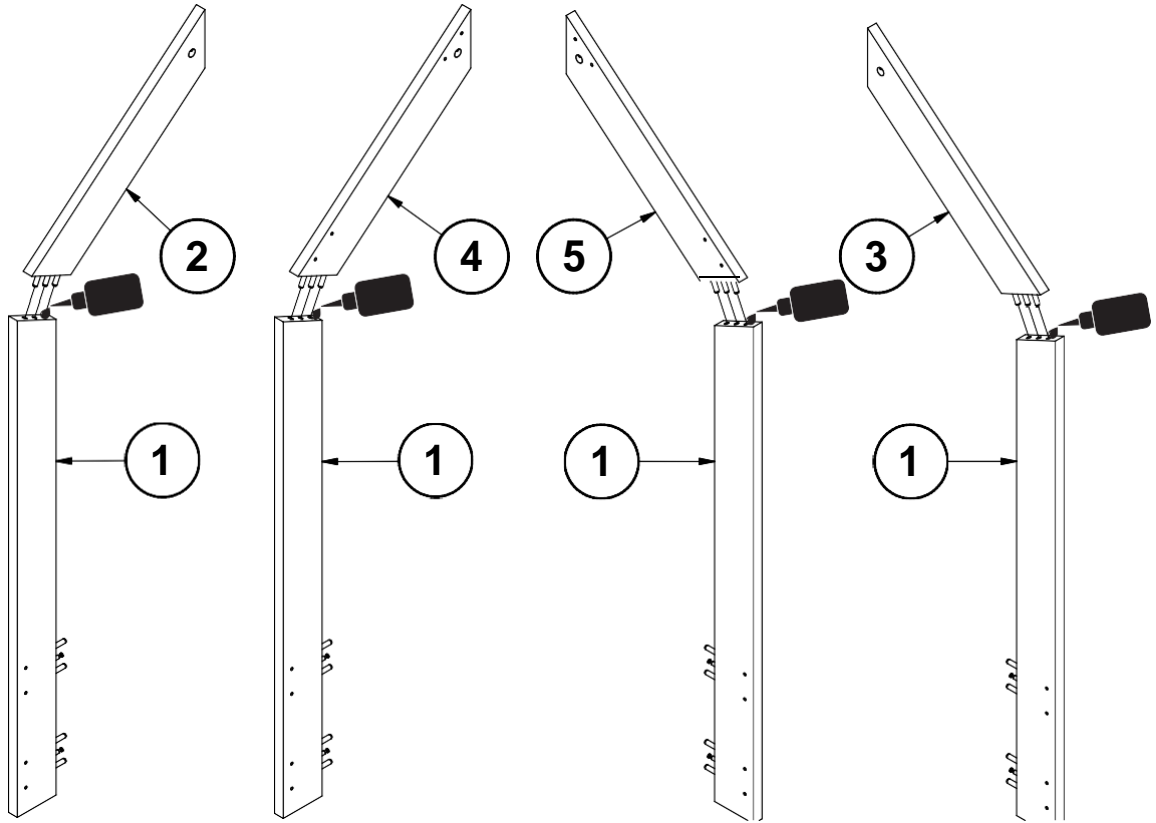


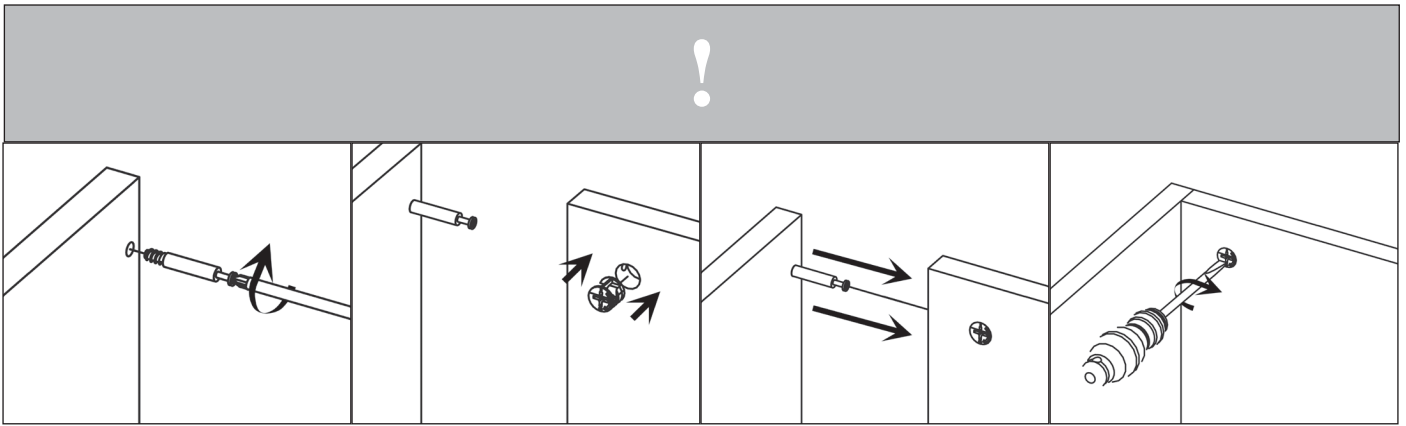
4



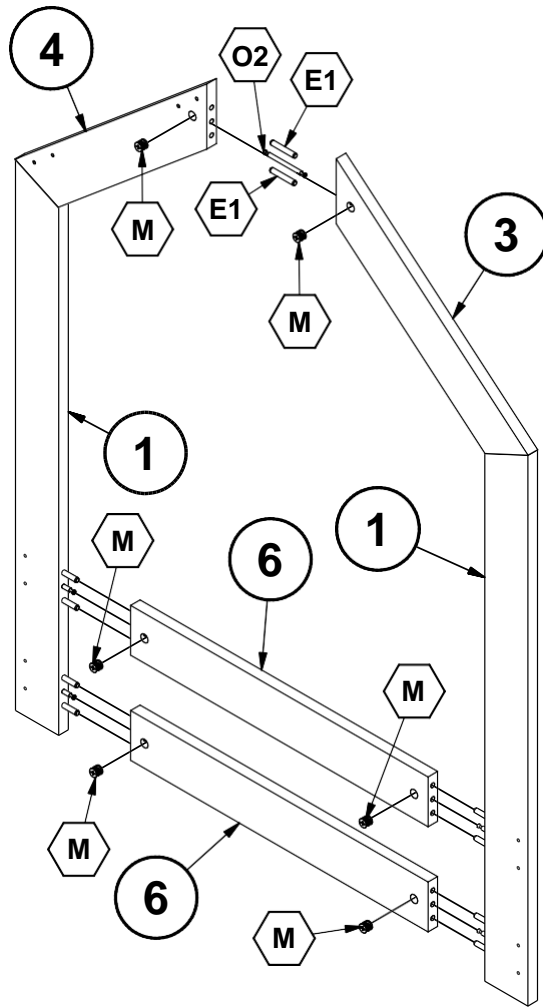
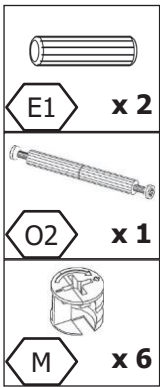
5



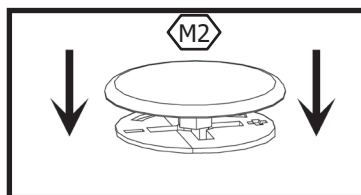


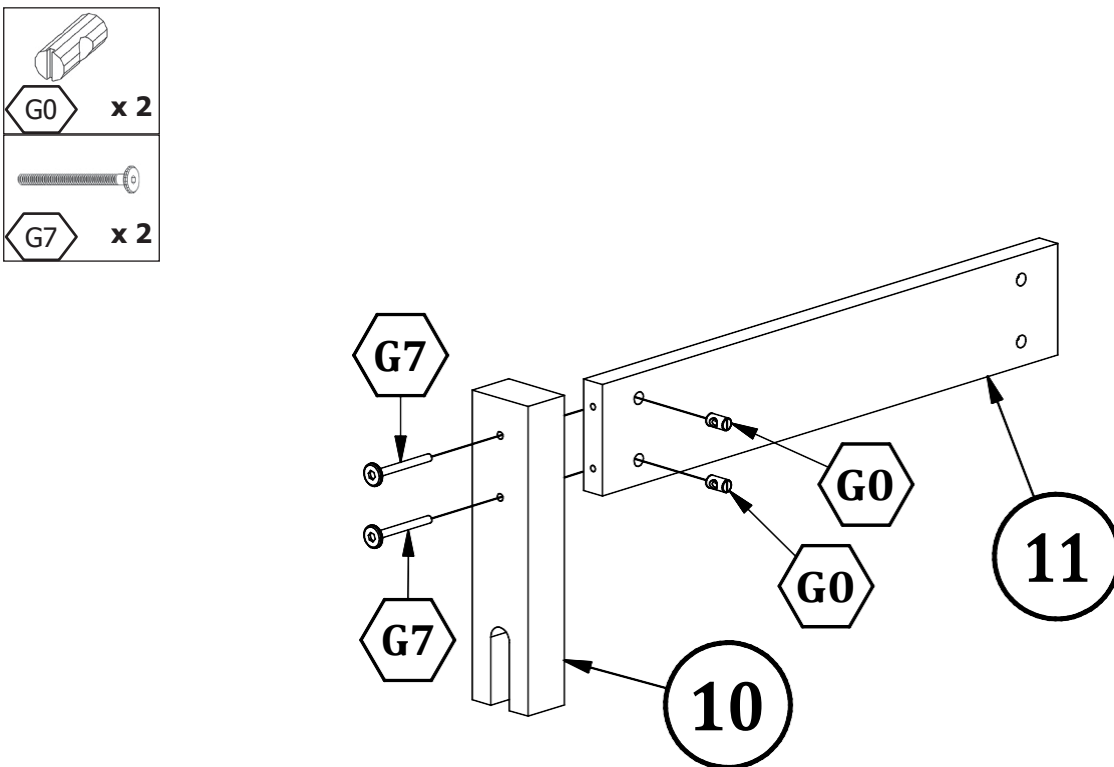
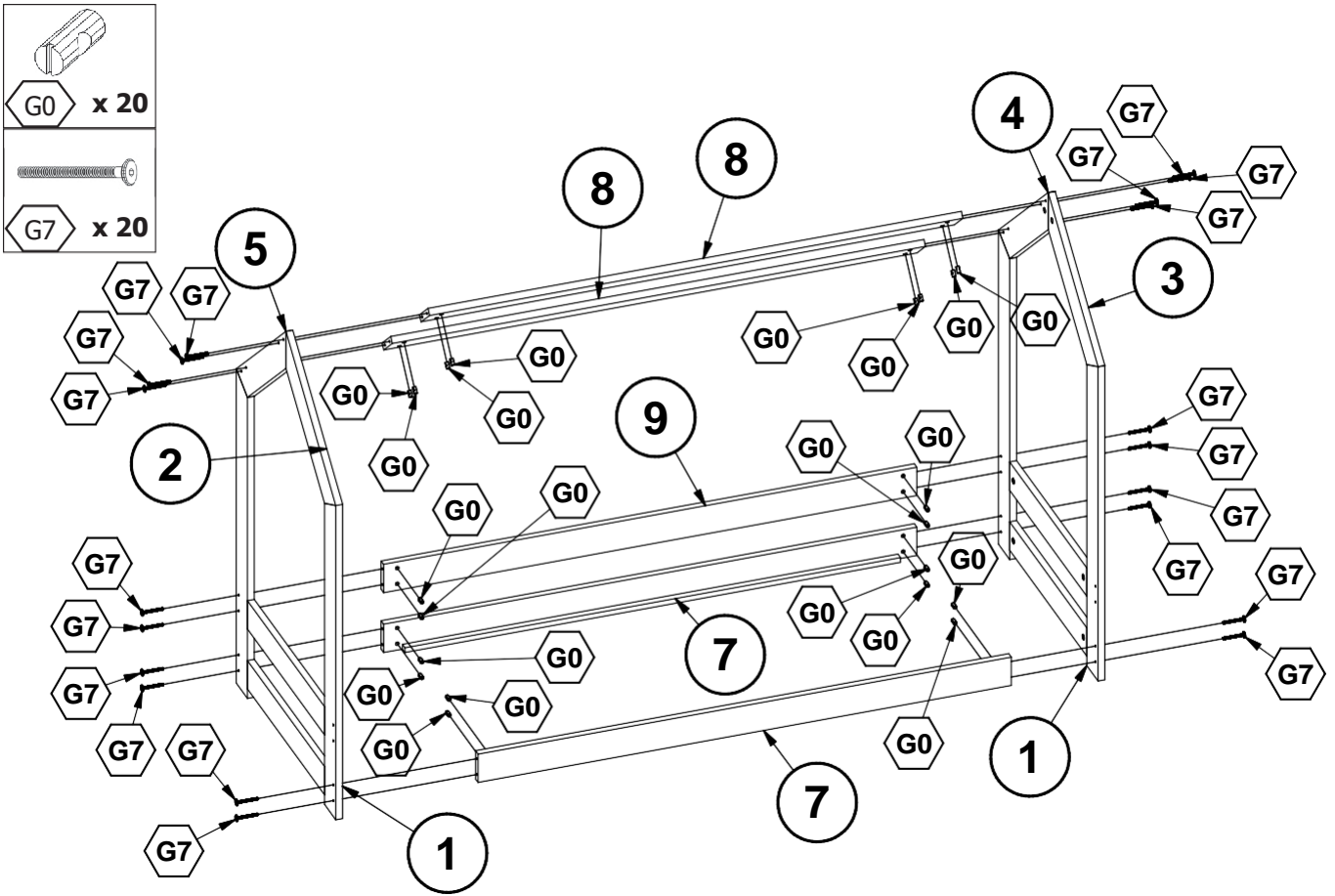


8

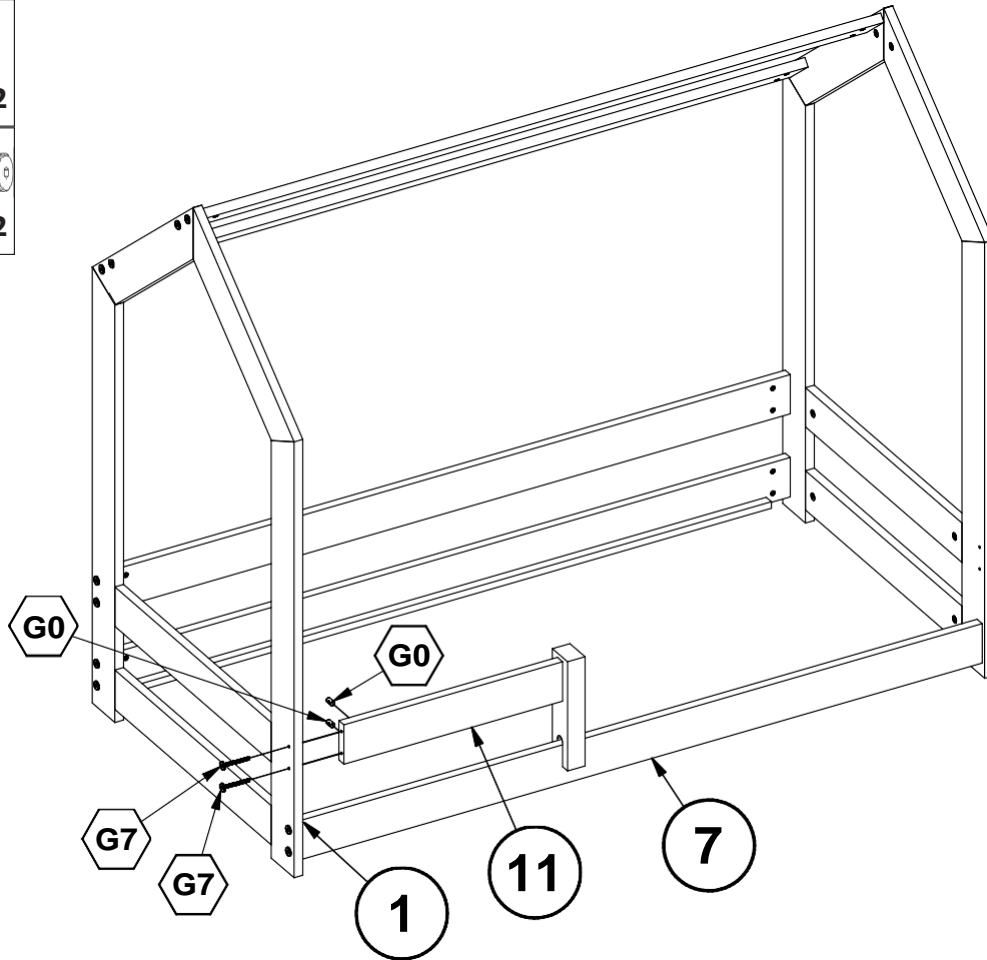
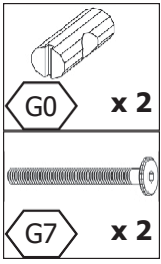


9





12



13

